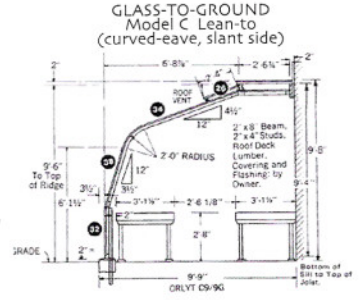
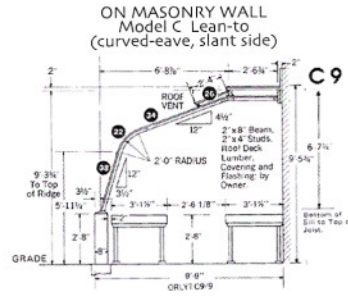
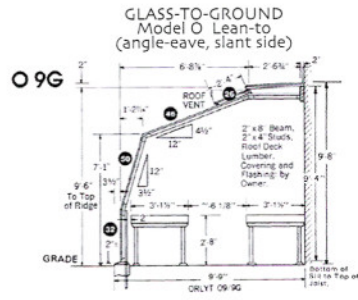
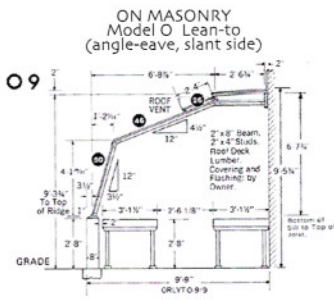
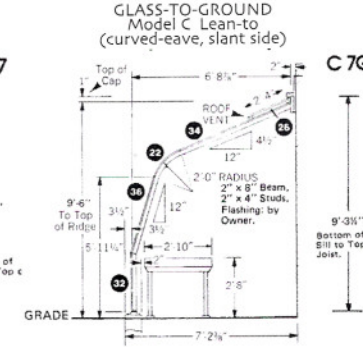
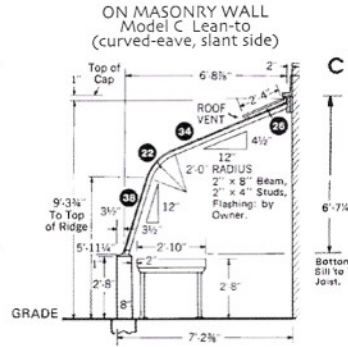
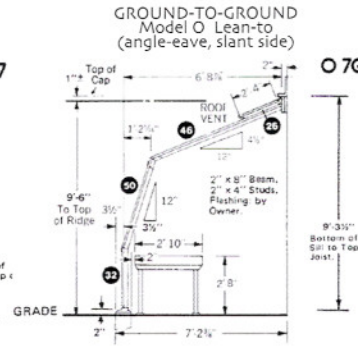
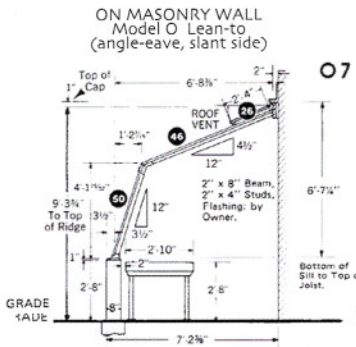
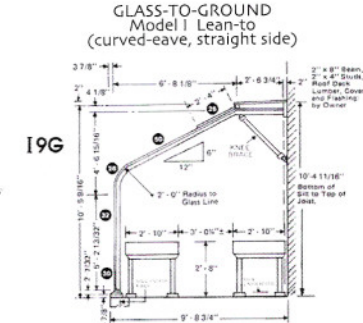
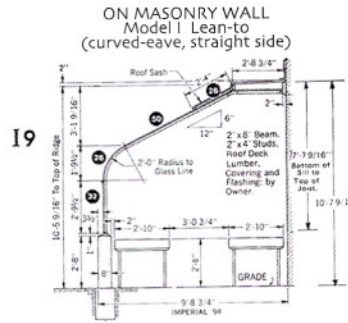


Lean-to Greenhouses



There is no denying the advantages of the lean-to design: accessibility, easier to heat, and lower costs. And you can choose an UNDER GLASS lean-to to suit your residence and resources.

The Lean-to I-9/I-9G, C9/C9G, O9/O9G: A remarkably spacious greenhouse only 9' 9" wide, yet it can accommodate 2 full-width benches plus side and back wall shelves.



The Lean-to I-7/I-7G, I-8/I-8G, C7/C7G, O7/O7G: Where space and initial investment must be budgeted tightly, there's not a better buy. It takes less space than a flower bed, yet provides rich bounty from benches, side shelves, and roof-hung baskets. Available in both straight-eave and graceful curved-eave styles.

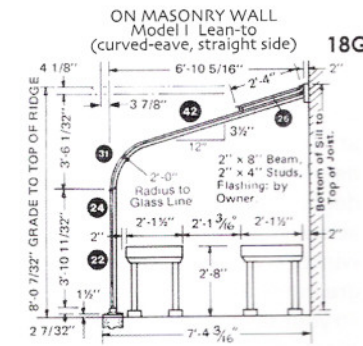
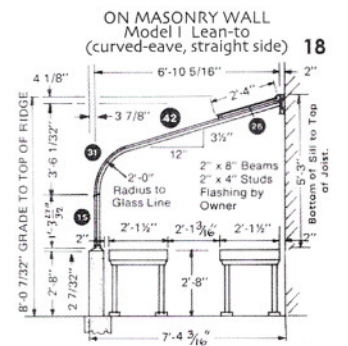
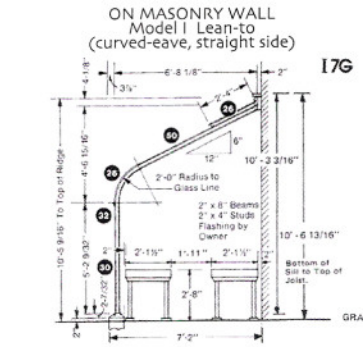
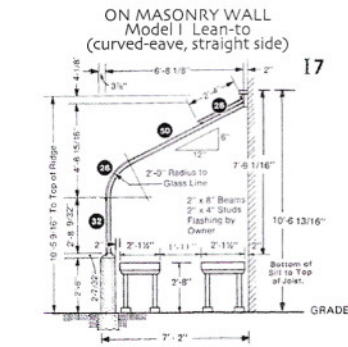


TABLE OF LENGTHS
MODEL O, MODEL C, MODEL I

No. 30-3/4" Sections	E & R	G & T	No. 30-3/4" Sections	E & R	G & T
3	8' 4-5/8"	8' 7"	12	31' 5-3/8"	31' 7-3/4"
4	10' 11-3/8"	11' 1-3/4"	13	34' 0-1/8"	34' 2-1/2"
5	13' 6-1/8"	13' 8-1/2"	14	36' 6-7/8"	36' 9-1/4"
6	16' 0-7/8"	16' 3-1/4"	15	39' 1-5/8"	39' 4"
7	18' 7-5/8"	18' 10"	16	41' 8-3/8"	41' 10-3/4"
8	21' 2-3/8"	21' 4-3/4"	17	44' 3-1/8"	44' 5-1/2"
9	23' 9-1/8"	23' 11-1/2"	18	46' 9-7/8"	47' 0-1/4"
10	26' 3-7/8"	26' 6-1/4"	19	49' 4-5/8"	49' 7"
11	28' 10-5/8"	29' 1"	20	51' 11-3/8"	52' 1-3/4"

⓪ Indicates glass size in inches